

## **Vacuum Puck Kit for the NSCRIPTOR™ DPN® System**

Dip Pen Nanolithography® (DPN) is the process of writing nanoscale patterns of molecular "ink" onto a sample substrate via a coated SPM tip. NanoInk's NSCRIPTOR DPN System is a fully-integrated hardware and software system that is optimized for the DPN process.

NanoInk has designed the Vacuum Puck, a new sample puck (Figure 1) to be used with the NSCRIPTOR DPN System, which uses vacuum to firmly hold samples in place. This model is specifically designed to hold standard NanoInk Gold Substrates and Inkwell Arrays in a "side-by-side" configuration. In addition, users can now mount larger substrates which cover the whole 2-inch Vacuum Puck diameter. Other DPN accessories including SiO<sub>2</sub> Substrates and the 2D nano PrintArray™ can also be used with this sample puck.

Another important advantage of the Vacuum Puck is that the double-sided, sticky tape is no longer needed to hold the substrates. This results in easier and more accurate leveling of the sample surface. Moreover, the Vacuum Puck minimizes the setup time and reduces the potential for cross contamination, a critical concern for protein or DNA experiments.



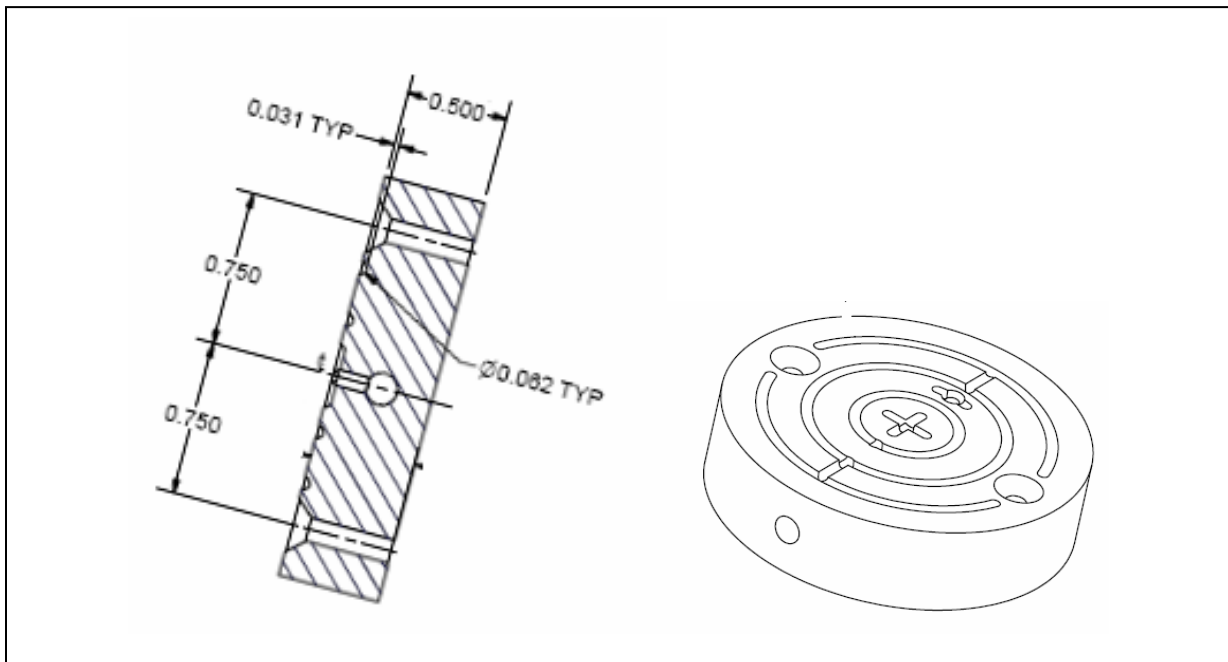
*(Figure 1) A Vacuum Puck showing two quick-connect hose attachments.*

The Vacuum Puck is offered as a kit for easy assembly into the NSCRIPTOR. Items and features of the Vacuum Puck Kit include:

- 1 vacuum sample puck, 2-inch diameter, 0.5-inch thickness
- 1 oil-less pump
- 4 ft of coiled vacuum hose
- 6ft of additional vacuum hose with adapters

- 9 vacuum tips
- 1 vacuum pick-up handle
- 12 V DC power source
- produces vacuum of over 15 inches of mercury
- automatic vacuum pump ON/OFF control
- rubber, no-skid feet
- ESD connection on rear of unit
- quiet operation
- available in 110 V or 220 V AC input

The Vacuum Puck is 2-inches in diameter and 0.5-inches thick (Figure 2).



*(Figure 2) Images displaying the dimensions of the Vacuum Puck.*

For more information including pricing, please contact NanoInk Sales Department at [sales@nanoink.net](mailto:sales@nanoink.net) or 1-847-679-NANO.

All information herein is the property of NanoInk, Inc. All unauthorized use and reproduction is prohibited. Copyright © 2002-2007 NanoInk, Inc. All rights reserved. NanoInk, the NanoInk logo, Dip Pen Nanolithography, DPN, NSCRIPTOR, InkCAD, InkCal, Lattice, InkAlign, InkMap, InkFinder, Dots & Lines, DPNWorld, Get Small, Power of N, Building the Future, One Molecule at a Time, Nanoencryption Technology, and Trace the Truth, are trademarks or registered trademarks of NanoInk, Inc.